

**Model: HNDS7**

English	-----	01-11
Deutsch	-----	12-21
Français	-----	22-31
Español	-----	32-41
Italiano	-----	42-51
日本語	-----	52-61

Thank you for choosing this HUANUO product! At HUANUO we strive to provide you with the best quality products and services in the industry. Should you have any issues, please don't hesitate to contact us at

**Technical Support:**

(US/CA)1-800-556-0533 Mon-Fri 8am - 8pm(CST)

(UK)44-808-196-3874 Mon-Fri 2pm - 10pm(UTC)

**Other Info:**

support@huanuoav.com

support\_jp@huanuoav.com(JP)

Website: www.huanuoav.com

- CAUTION: Avoid potential personal injuries and property damage!
- Do not use this product for any purpose that is not explicitly specified in this manual. Do not exceed weight capacity. We are not liable for damage or injury caused by improper mounting, incorrect assembly or inappropriate use.
- This product contains a high pressure gas spring, fire and percussion prohibited. Also it is strictly prohibited to dismantle without professionals. Please return to the manufacturer or hand over to professional agencies if the product is abandoned.
- The desk must be capable of supporting three times the weight of the total load (the mount, the monitor and all accessories weight). Don't use the product on particle board.

### Weight Restrictions

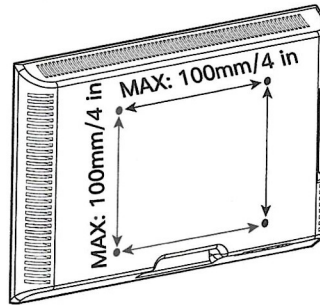


If your monitor weighs more,  
this mount is NOT compatible.

### ! WARNING

DO NOT exceed the maximum weight indicated. This mounting system is intended for use only within the maximum weights indicated. Use with products heavier than the maximum weights indicated may result in failure of the mount and its accessories, causing possible damage and or injury.

### Check the VESA Pattern of Your Monitor before You Begin the Installation

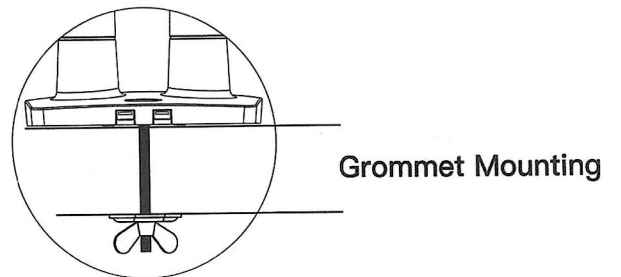
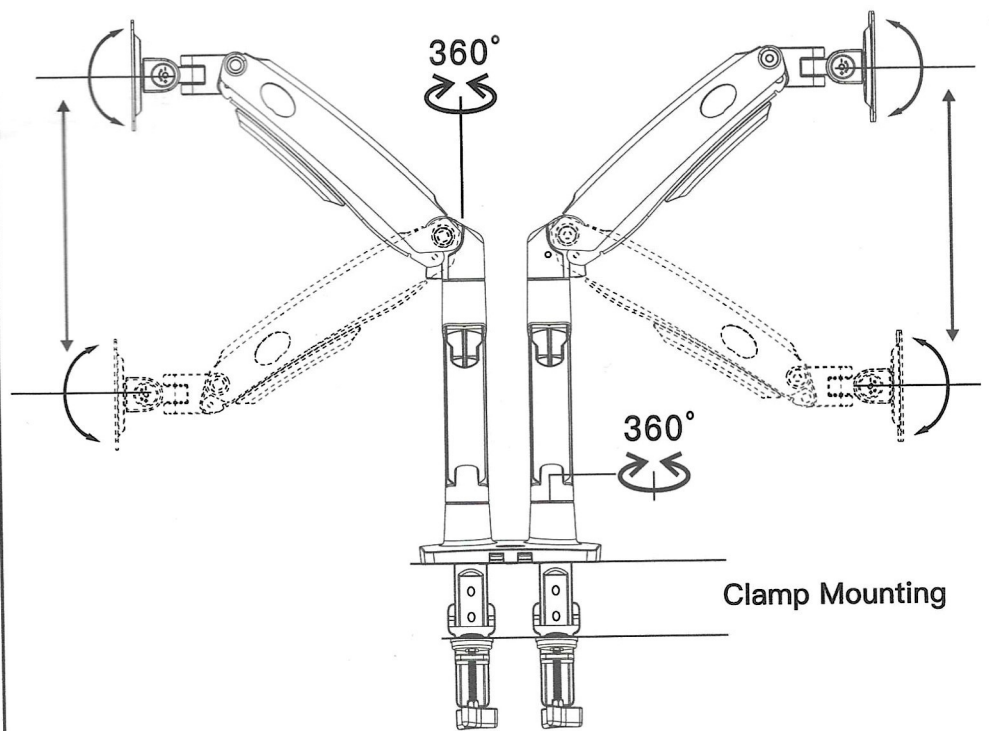


75 mm ≈ 3 in  
100 mm ≈ 4 in

Minimum VESA pattern:  
75mm/3 in (W)x75mm/3 in (H)

If your monitor VESA is greater than 100x100 mm/4x4 in or less than VESA 75x75mm/3x3 in, this mount is NOT compatible.

If this desk mount is NOT compatible, please contact customer service at [support@huanuoav.com](mailto:support@huanuoav.com) to find a compatible product.



 **Warning**

Do not adjust tension without monitor.

1. Ensure monitor has been attached to the mount.
2. Read your monitor box or manual to find out monitor net weight.
3. Ensure the net weight of monitor (including accessories) is between 4.4~26.4 lbs (2~12 kg).

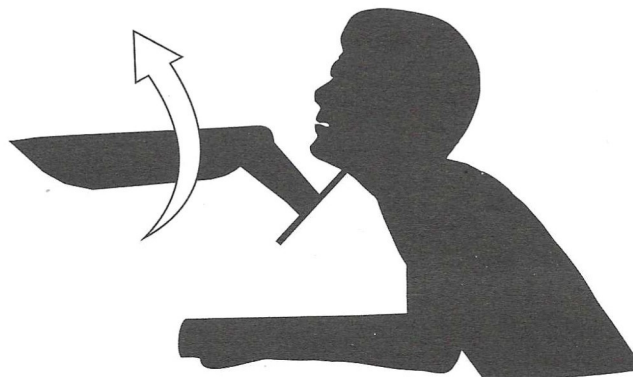
**Adjustment Sign**



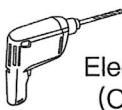
Clockwise to reduce  
tension(carry less weight)

Counter-clockwise to increase  
tension(carry more weight)

**Warning!**







Electric Drill  
(Optional)



Drill Bit  
(Optional)  
0.4 in (10mm) – 1.1 in (27mm)



Phillips Screwdriver

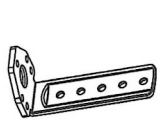
### Supplied Parts and Hardware

**⚠ Warning:** This product contains small items that could be a choking hazard if swallowed.

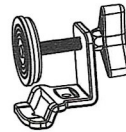
Before starting assembly, verify all parts are included and undamaged. Do not use damaged or defective parts. If you require replacement parts, contact our customer service at [support@huanuoav.com](mailto:support@huanuoav.com).

- Please note: Not all hardware included in this package will be used.

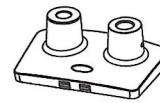
### Supplied Parts and Hardware for Step 1



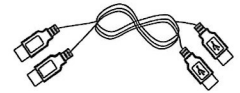
C-Clamp Part  
**03** X2



C-Clamp Part  
**04** X2

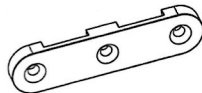


Base  
**05** X1



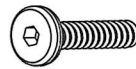
USB Line  
**07** X1

H



Pressure Plate x 1

C



M6x12mm  
Bolt x 6

D



Butterfly Nut/Grommet Bolt x 1

E



Locking Plate x1

I



M4x10mm  
Bolt (x3)

F



5/32 in (4mm)  
Medium Allen Key

### Supplied Parts and Hardware for Step 2



Arm

**01** X2



Arm Extender

**02** X2

F



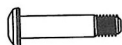
1/8 in (3mm)  
Small Allen Key

### Supplied Parts and Hardware for Step 3



Monitor Plate

**06** X2



M8x38mm  
Bolt (x2)

G



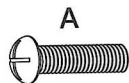
$\phi 16 \times \phi 8.2 \times 1.5$ mm  
Washer (x2)

F



13/64 in (5mm)  
Large Allen Key

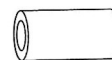
### Supplied Parts and Hardware for Step 4



M4x12mm  
Bolt (x8)



M4x30mm  
Bolt (x8)



L13mm  
Spacer (x8)

### Supplied Hardware for Step 5 and 7


F

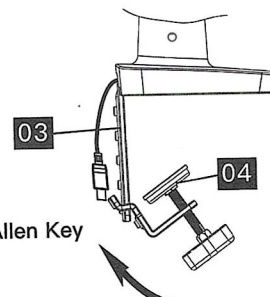
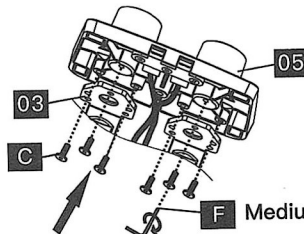
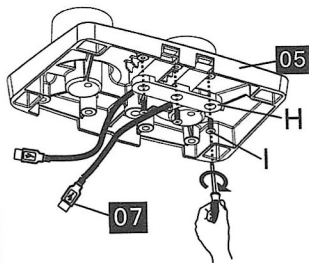


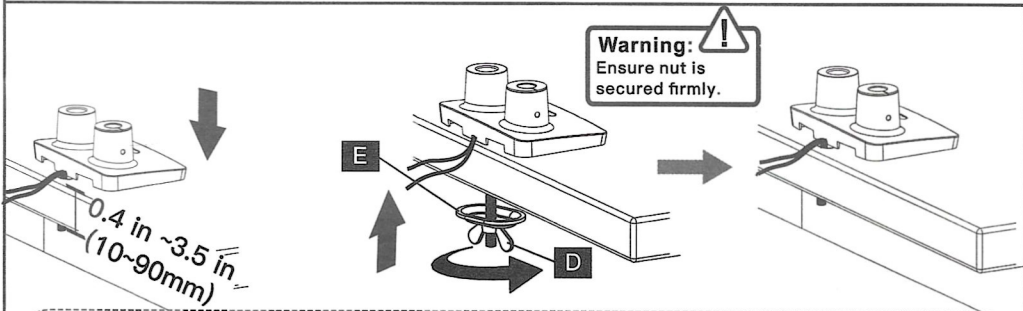
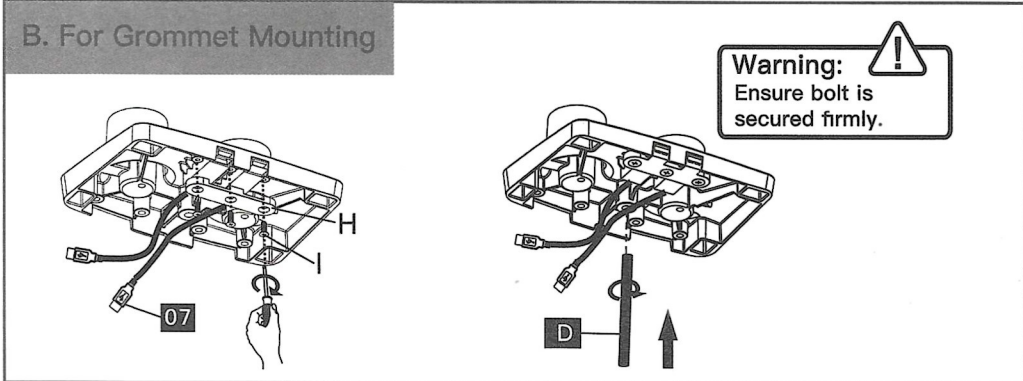
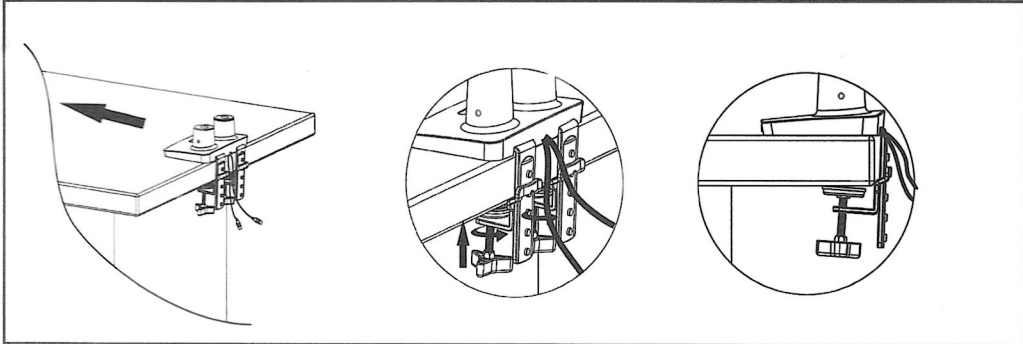
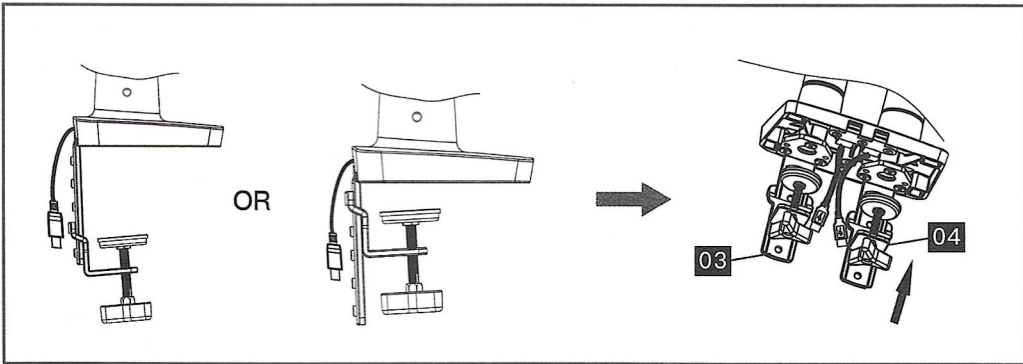
13/64 in (5mm) Large Allen Key

### 1. Install the Base

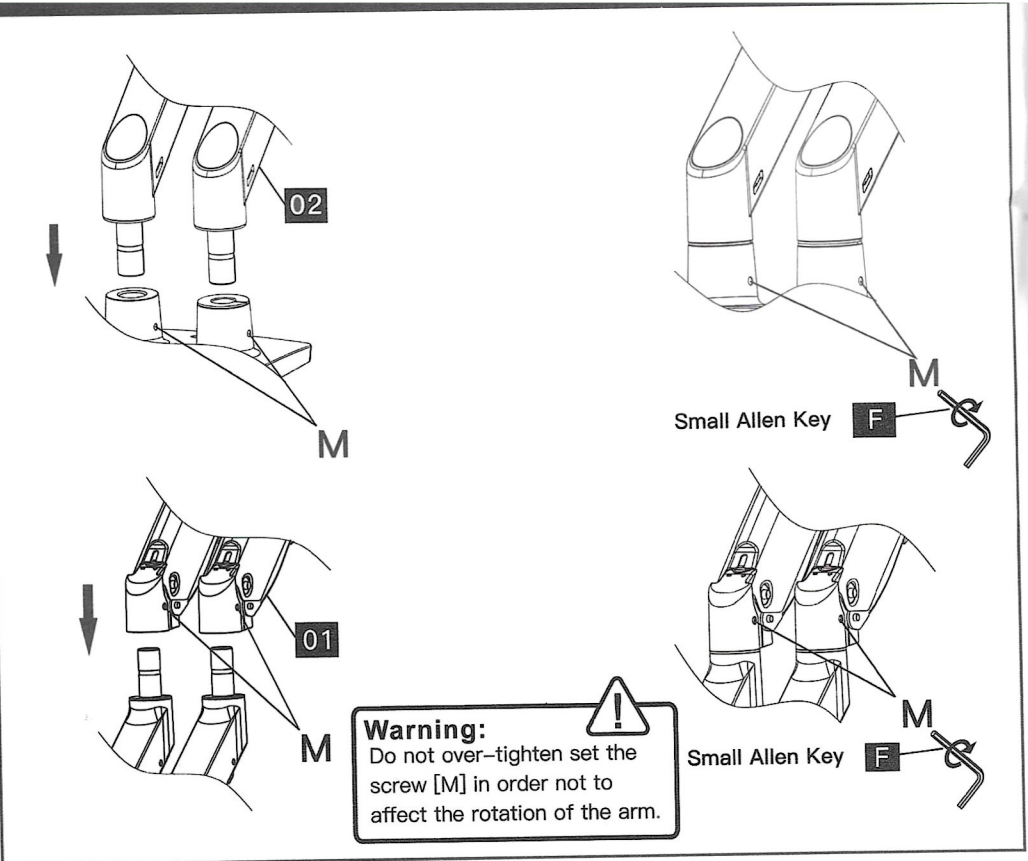
#### A. For Clamp Mounting

**Warning:**   
Ensure bolts are  
secured firmly.



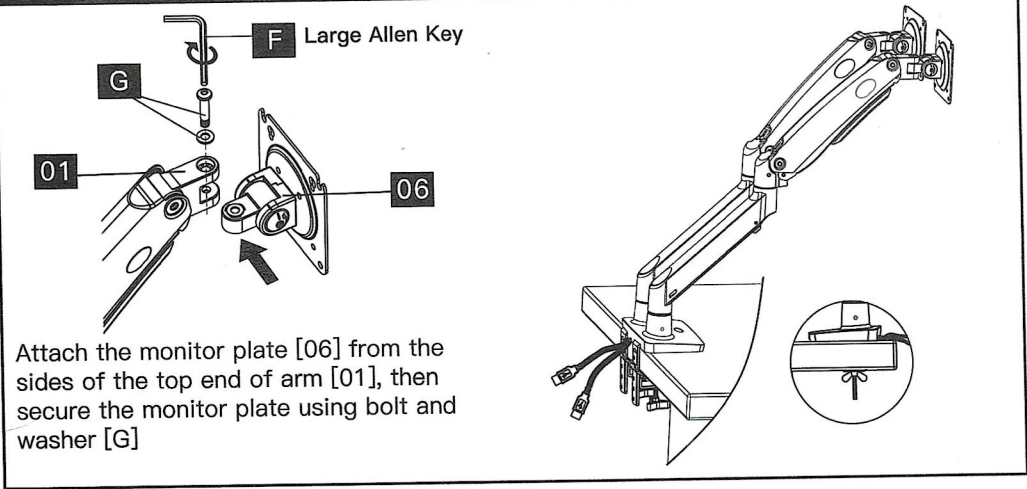


If there is no grommet hole on your desk, position the base [05] on the mounting surface and mark the hole. Drill a hole using the drill bit in a diameter of 0.4 in (10mm) – 1.1 in (27mm) at the marked position through the mounting surface.



**Warning:** Do not over-tighten set the screw [M] in order not to affect the rotation of the arm.

### 3. Install the Monitor Plates

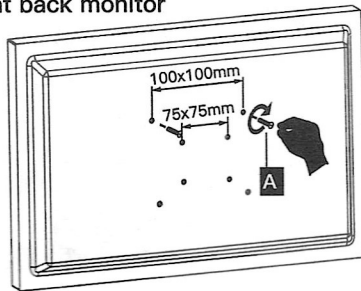




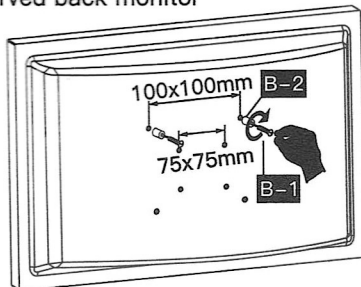
## 4. Attach Monitors to the Arms

### 4-1 Choose Proper Bolts

#### Flat back monitor



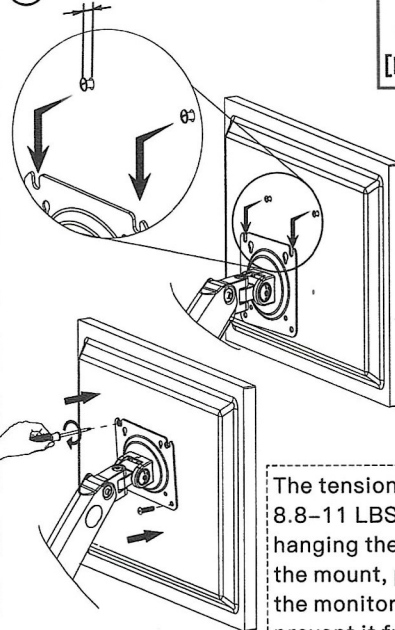
#### Curved back monitor



75 mm ≈ 3 in  
100 mm ≈ 4 in

### 4-2 Install Monitors to the Arms

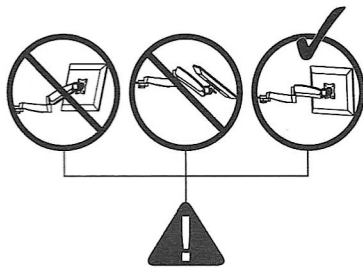
① 0.1–0.2 in (3–5mm) spacing left



  
Phillips  
Screwdriver  
[Not Included]

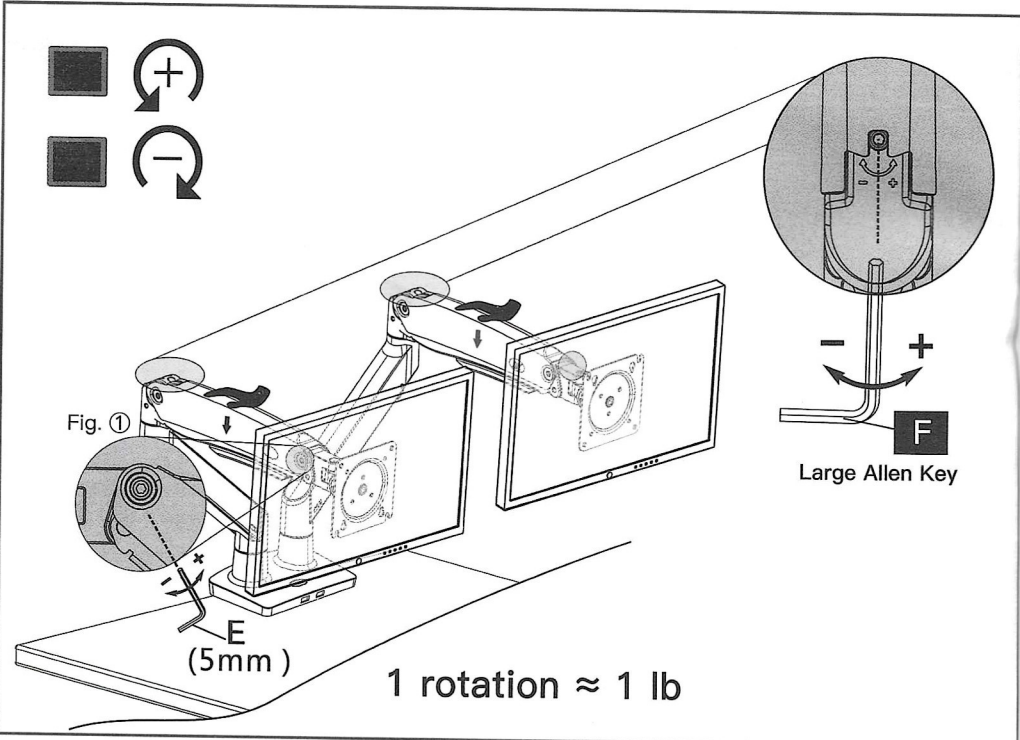
The tension is preset at 8.8–11 LBS(4–5kg). After hanging the monitor to the mount, please release the monitor slowly to prevent it from falling suddenly.

## 5. Adjust Gas Spring Tension



Be sure to keep the arm in horizontal position during adjustment. Or else, it would be difficult to adjust the mount or damage the mount.

1. If the monitor can stay at the desired height by itself, no adjustment needed.
2. If the monitor rises up, press the arm to keep it in horizontal position and then use the 13/64 in (5mm) Alley key [F] to turn the bolts clockwise("–" direction) to reduce tension of the arm only until the monitor can stay at the desired height by itself.
3. If the monitor falls down, lift the arm to keep it in horizontal position and then use the 13/64 in (5mm) Alley key [F] to turn the bolts counter-clockwise("+" direction) to increase tension of the arm only until the monitor can stay at the desired height by itself.
4. Special situation: If the gas pressure is in minimum torque tension and monitor is 2kg, the monitor can not be hovered at your desired position freely and please wind the set screw(see Fig. ①) in "+" direction with the wrench "E" to fix the monitor in place.



6. Rotation Restriction

Non-proper usage directions

Proper usage directions

